

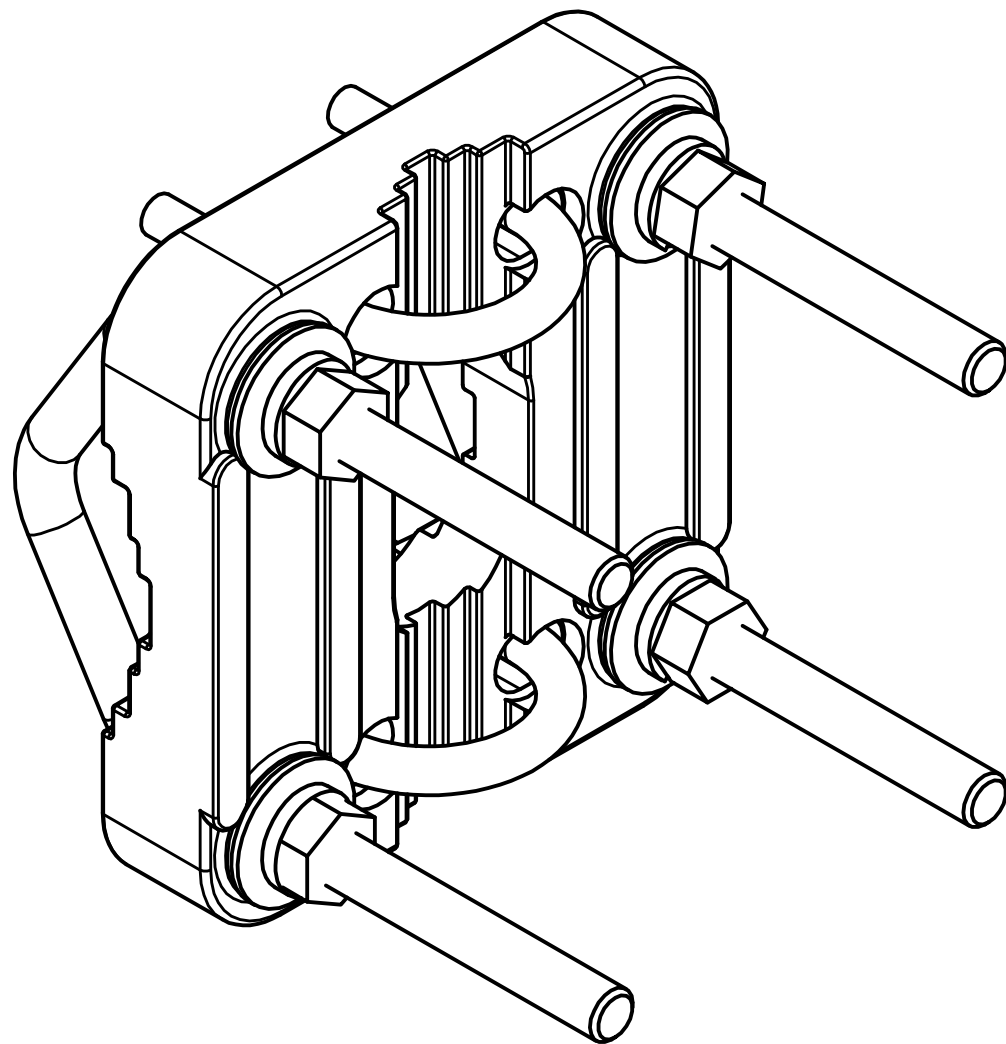
4

3

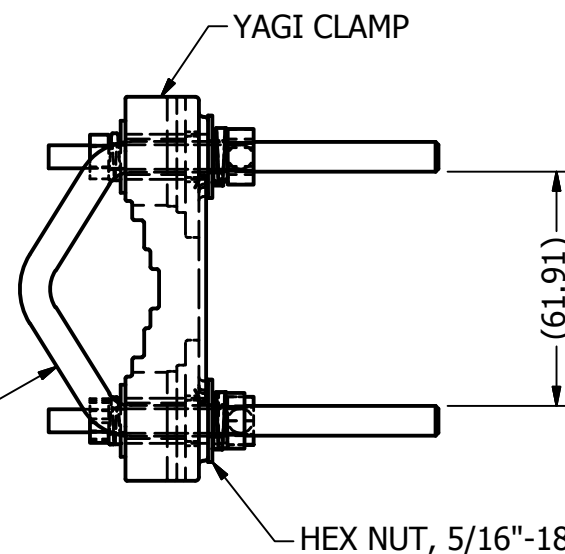
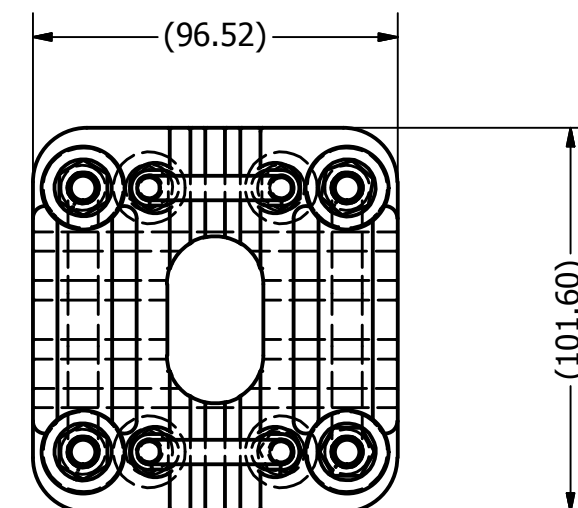
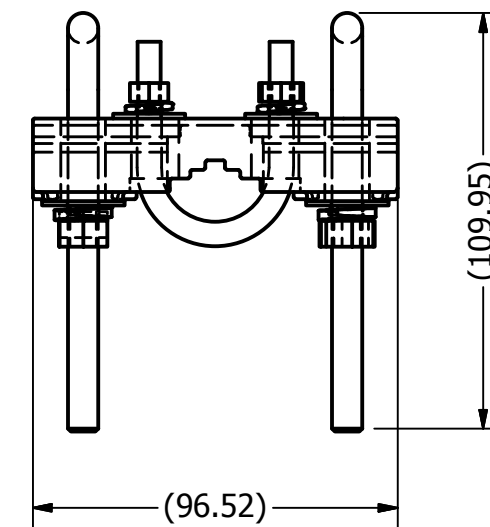
2

1

REVISION HISTORY			
REV	DESCRIPTION	DATE	APPROVED
1	YAGI CLAMP, FITS MAST OD 0.75-1". MNTS TO 1.25-2.4 " OD.	2/12/2016	CE



ISO-VIEW
SCALE 1 : 1



U-BOLT, 5/16"-18 UNC,
2.75"C-C, (3.62"-4.09" CLR), HDG

HEX NUT, 5/16"-18 UNC, ELECTRO-GALVANIZED ZINC, GR. 2

NOTES: UNLESS OTHERWISE SPECIFIED

1. A (REF) DIMENSION IS FOR INFORMATION PURPOSES ONLY AND NO TOLERANCE IS IMPLIED.

SUPPLIER PRINT ACCEPTANCE: <input type="checkbox"/> Accept drawing/specification: No changes needed: <input type="checkbox"/> This part is RoHS compliant <input type="checkbox"/> This part is REACH compliant <input type="checkbox"/> Accept drawing/specification. Notes/Mark-ups added <input type="checkbox"/> Cannot accept drawing/spec. Notes/Mark-ups added Supplier Projected Outgoing Quality: SIGMA LEVEL : _____ or PPM: _____ Signature _____ Date: _____	UNLESS OTHERWISE SPECIFIED DIMENSIONS ARE IN MILLIMETERS FOR TOLERANCES NOT SPECIFIED USE: [X mm ± 3 mm] [X.X mm ± .3 mm] [X.XX mm ± .13 mm] ANGULAR± 1°	DRAWN DATE CE 8/10/2016 CHECKED DATE IP 8/10/2016 MATERIAL: SEE COMPONENT PRINTS FINISH: SEE COMPONENT PRINTS	<p>PCTEL, INC. 471 BRIGHTON DRIVE BLOOMINGDALE, IL 60108 PH. 630-372-6800 FAX. 630-372-8077</p>
	THIRD ANGLE PROJECTION 	PCTEL PROPRIETARY DATA THE INFORMATION AND/OR DRAWINGS CONTAINED IN THIS DOCUMENT IS CONFIDENTIAL AND PROPRIETARY TO PCTEL, INC. AND MAY NOT BE USED, REPRODUCED, IN WHOLE OR IN PART, OR MODIFIED IN ANY WAY WITHOUT THE EXPRESS WRITTEN PERMISSION OF AN AUTHORIZED REPRESENTATIVE OF PCTEL, INC.	
DRAWING NO. BWC1001A			SIZE B SCALE 1:1 SHEET 1 OF 1

4

3

2

1